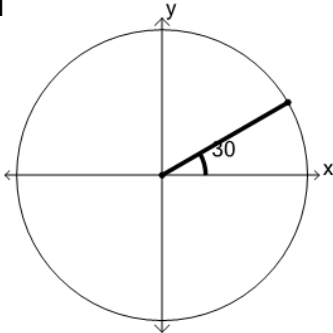


## Trigonometry (Unit Circle) - Labeling Angles Degrees to Radians (30s)

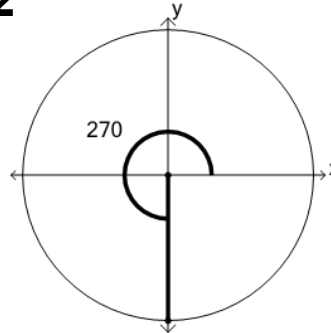
1



How many radians is this angle  
( $180^\circ = \pi$  radians)?

A $\frac{3\pi}{4}$ rad	B $\frac{\pi}{6}$ rad
------------------------	-----------------------

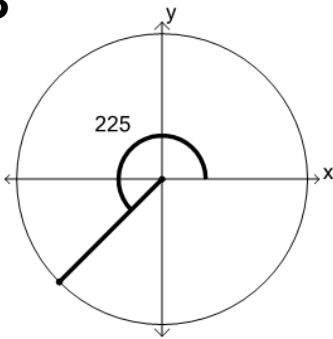
2



How many radians is this angle  
( $180^\circ = \pi$  radians)?

A $\frac{3\pi}{2}$ rad	B $\frac{5\pi}{4}$ rad
------------------------	------------------------

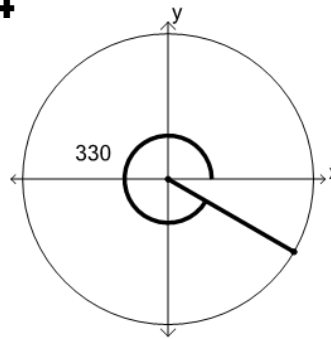
3



How many radians is this angle  
( $180^\circ = \pi$  radians)?

A $\frac{5\pi}{4}$ rad	B $\frac{5\pi}{6}$ rad
------------------------	------------------------

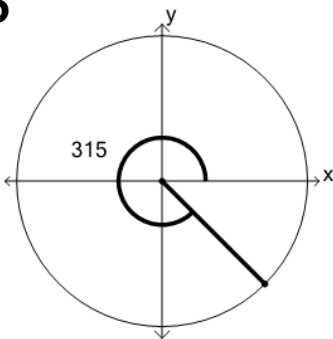
4



How many radians is this angle  
( $180^\circ = \pi$  radians)?

A $\frac{11\pi}{6}$ rad	B $\frac{3\pi}{2}$ rad
-------------------------	------------------------

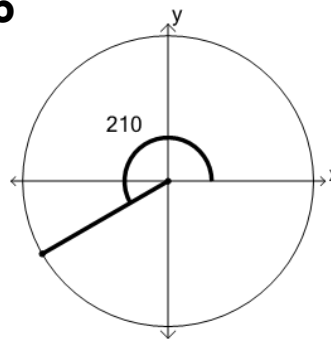
5



How many radians is this angle  
( $180^\circ = \pi$  radians)?

A $\frac{11\pi}{6}$ rad	B $\frac{7\pi}{4}$ rad
-------------------------	------------------------

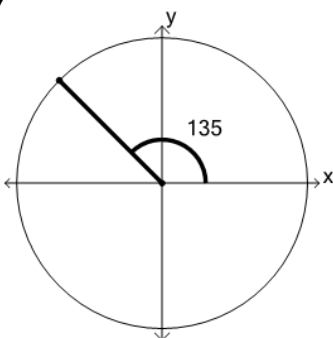
6



How many radians is this angle  
( $180^\circ = \pi$  radians)?

A $\frac{7\pi}{6}$ rad	B $\pi$ rad
------------------------	-------------

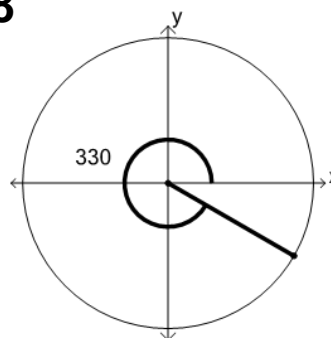
7



How many radians is this angle  
( $180^\circ = \pi$  radians)?

A $\frac{3\pi}{4}$ rad	B $\pi$ rad
------------------------	-------------

8



How many radians is this angle  
( $180^\circ = \pi$  radians)?

A $\frac{11\pi}{6}$ rad	B $\frac{7\pi}{4}$ rad
-------------------------	------------------------