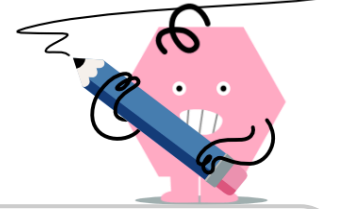
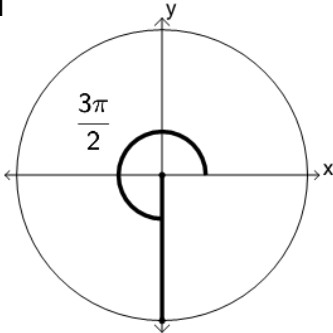


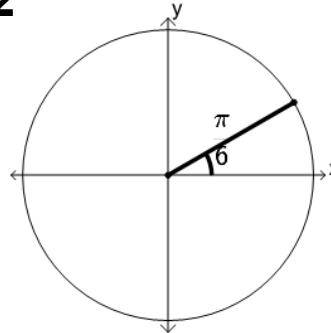


Trigonometry (Unit Circle) - Labeling Angles Radians to Degrees (30s)

**1**

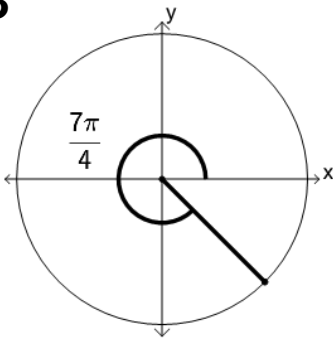
How many degrees is this angle
($180^\circ = \pi$ radians)?

A	B
300°	270°

2

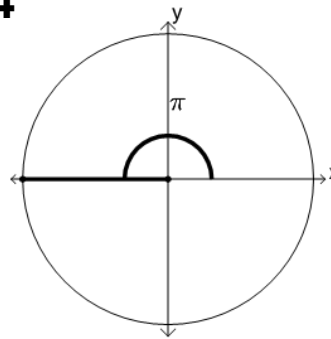
How many degrees is this angle
($180^\circ = \pi$ radians)?

A	B
30°	135°

3

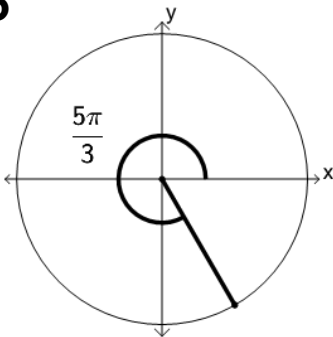
How many degrees is this angle
($180^\circ = \pi$ radians)?

A	B
315°	270°

4

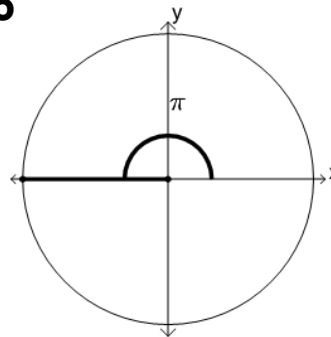
How many degrees is this angle
($180^\circ = \pi$ radians)?

A	B
180°	120°

5

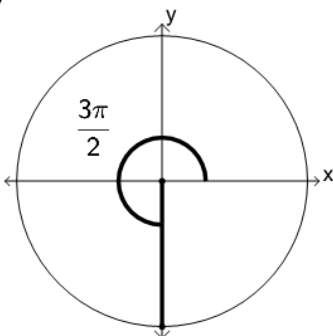
How many degrees is this angle
($180^\circ = \pi$ radians)?

A	B
300°	330°

6

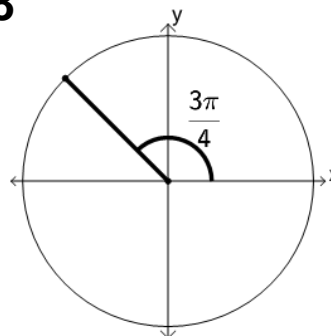
How many degrees is this angle
($180^\circ = \pi$ radians)?

A	B
180°	150°

7

How many degrees is this angle
($180^\circ = \pi$ radians)?

A	B
270°	210°

8

How many degrees is this angle
($180^\circ = \pi$ radians)?

A	B
90°	135°